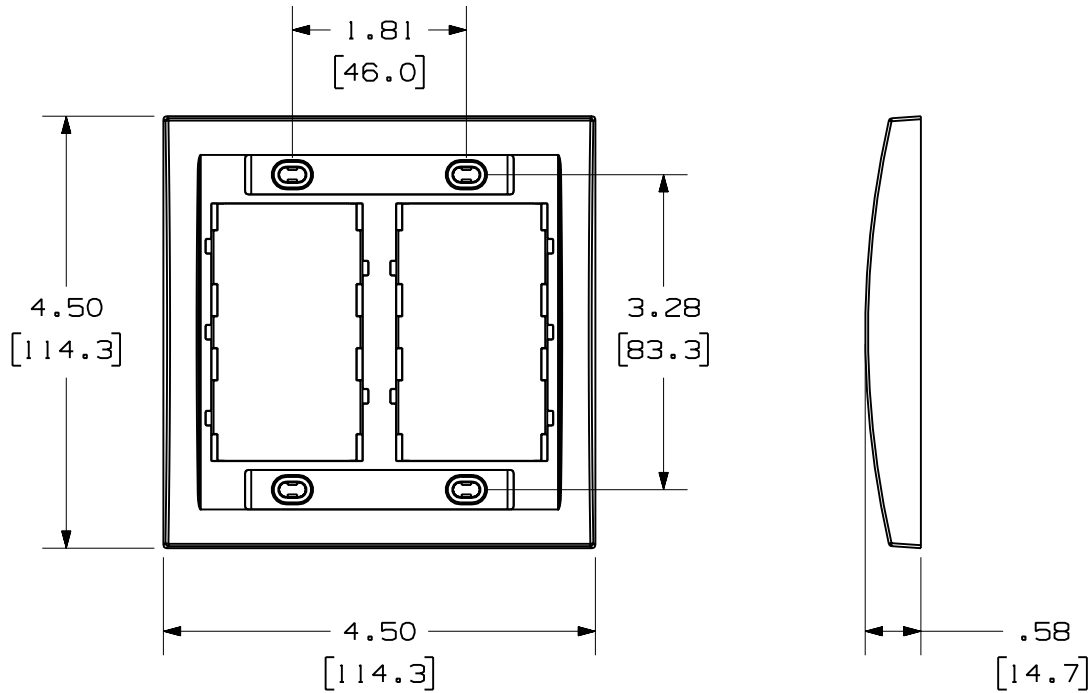
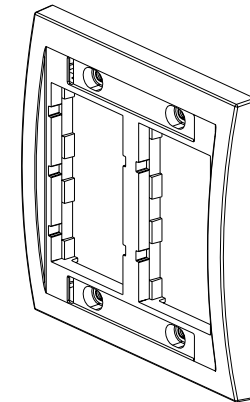


THIS COPY IS PROVIDED ON A RESTRICTED BASIS AND IS NOT TO BE USED IN ANY WAY DETRIMENTAL TO THE INTERESTS OF PANDUIT CORP.

PANDUIT P/N	WEIGHT
CBE**-2GY	.85 LB/10 PCS (385.6g/10 PCS)


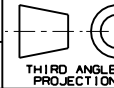


- NOTES:
- SEE CURRENT CATALOG FOR ADDITIONAL PART NUMBER SUFFIXES TO INDICATE COLOR AND OR PACKAGE QUANTITY.
 - SEE CATALOG FOR COMPLETE LIST OF PARTS APPLICABLE FOR USE WITH THIS PART.
 - DIMENSIONS IN () ARE METRIC.
 - PART INCLUDES:
1- FACEPLATE FRAME
4- #6-32 X 1" MOUNTING SCREW
2- LABEL
2- LABEL COVER



MODEL FILENAME	D35460BA_CBE2G_05.PRT	SIZE	A
DRAWING FILENAME	M02479FB_DC134_00A.PRT		

DOUBLE GANG EXECUTIVE FACEPLATE
FRAME CUSTOMER DRAWING

 PANDUIT ™ CORP. TINLEY PARK, ILL 60477	I.I. NUMBER	N/A
	PRODUCT SPEC	N/A
 THIRD ANGLE PROJECTION	WORK INSTRUCTION	N/A
	SCALE	NONE
DRAWN BY JsP	MATERIAL	PART NO. CBE**-2GY
DATE 4-19-06	ABS	DRAWING NO. 02479-134
CHK'D		

REV	DATE	BY	CHK	DESCRIPTION	ECN	R	CUST	SUP	OTH
R	4-19-06	JsP		RELEASED TO PRODUCTION	02479-134				